

PRESTON LED BULKHEAD INSTRUCTIONS Issue 06 on 6th March 2021

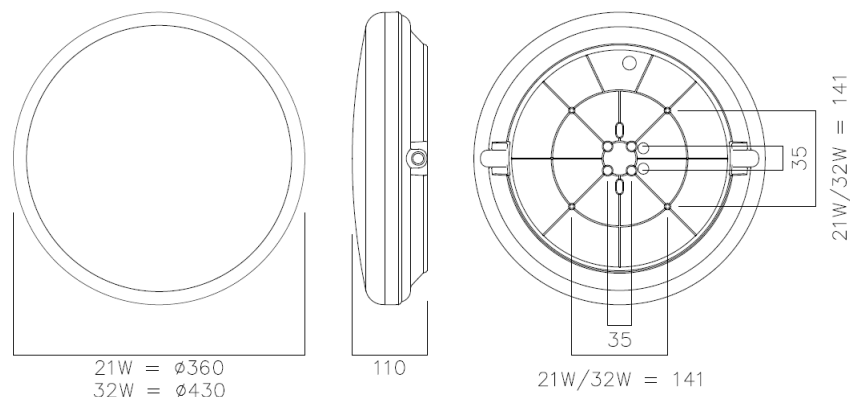
THANK YOU for buying this product. To help ensure it gives complete satisfaction please install it according to these instructions and then pass the instructions to the appropriate person for retention and future reference.

SAFETY This is a mains powered product. It is designed to be installed by suitably qualified personnel only and in accordance with the applicable building and electrical regulations. Before installation or maintenance the electrical supply to the product must be isolated.



INSTALLATION SUPPORT If installation advice or accessories are required please contact us at the above address. We will do our best to help. When reporting a suspected fault or seeking installation support the problem is likely to be resolved most quickly if you have full product details to-hand, as well as details of when and where it was purchased.

INSTALLATION



1. Remove the front trim bezel from the diffuser by turning anti-clockwise to expose screw fixings.
2. Undo the 3-off diffuser fixing screws & remove the diffuser.
3. To remove the gear tray follow either of the below steps:-
 - a. For screw fixed type - Loosen the 3 gear tray retaining screws and rotate anti-clockwise to align the screw heads with the large aperture of the keyhole slots & remove the gear tray away from the base.
 - b. For hinged type - remove retaining screw then unclip and flip over to gain access to the fixing and cable entry points.
4. Prepare the mains supply cable & fixing points on the chosen mounting surface ensuring it is able to retain the weight of the luminaire.
5. Drill the base at the chosen cable entry point, either the rear face or two side entry points.
6. Pass the mains supply cable through the chosen cable entry hole, offer the base to the mounting surface & secure using the screws provided.
 - a. **Note! It is the installer's responsibility to ensure the fixing points & cable entry point are appropriately sealed to maintain the IP rating**
7. Route the mains supply cable to the terminal block on the gear tray & terminate ensuring correct polarity is observed.
 - a. **Note! This luminaire must be earthed**
8. Refit the gear tray (opposite of point 3) & secure by retightening the appropriate screws.
9. If the CCT Selectable option has been chosen, then select the required CCT by sliding the switch on the front face of the gear tray to the allocated colour
10. Refit the diffuser & secure using the screws.
11. Refit the front trim bezel & rotate clockwise to locate.
12. Reconnect power supply & check for correct operation.

Note! Luminaires fitted with electronic drivers are exempt from insulation resistance tests as this may cause damage to the drivers.

MAINTENANCE

1. Cleaning should be carried out at regular intervals so as not impair photometric performance or thermal safety of the luminaire.